



TT4800 TT4900

UNIVERSAL LIFTS

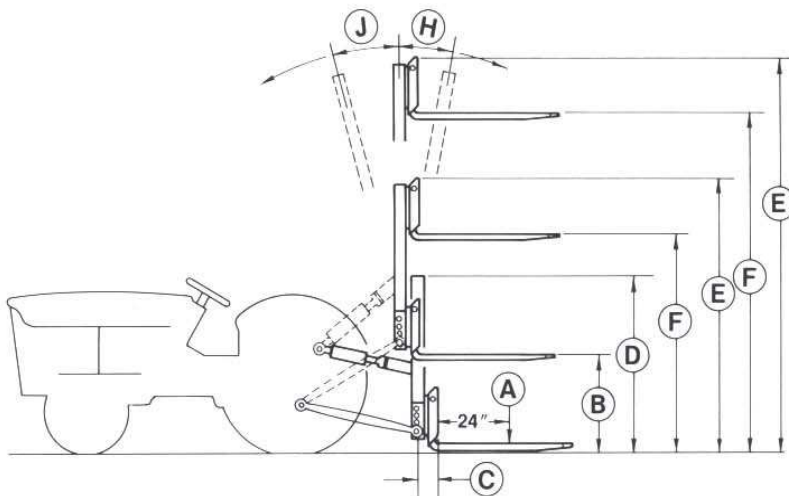
THREE POINT FORK LIFTS

The Edwards Universal Lifts are designed for easy-on, easy-off convenience. The Universal Lift can be used for lifting, moving and loading palletized material, bins and other bulky or heavy objects. The time-saving features of the Universal Lift make the investment well worthwhile in itself. The new Edwards Universal Lifts mount quickly and easily on any category 1 or 2 three point hitch tractor. Think of the many labor saving ways you can use a 3 point mounted Edwards Universal Lift.

- Sealed ball bearing support carriage
- Adjustable hitch pin positions fit large and small tractors
- Retractable stand holds unit in vertical position for convenient storage and installation
- Hydraulic cylinder top link permits tilting forks forward and backward
- Adjustable top link position to fit variety of tractor hitches.
- Anti friction bearing idler carries heavy chain to support load
- Special rolled channel mast of high carbon steel
- Prop supports top link cylinder for convenient hookup. Orifices in cylinders assure smooth, safe operation
- Removable fork anchors hold forks down for easy pull out from loads
- Optional attachments available
- Specification and design subject to change without notice



Model Number	TT4800	TT4900
A. Lift Capacity-Pounds at 24 inches	2000	2000
B. Three-Point Lift Height*	24"	24"
C. Reach	5"	5"
Reach with Side Shift	8"	8"
D. Overall Height Mast Lowered	64"	61"
E. Overall Height Mast Raised	88"	121"
F. Maximum Lifting Height	64"	96"
H. Degrees Tilt Forward	6 to 10 degrees	6 to 10 degrees
J. Degrees Tilt Rearward	9 to 13 degrees	9 to 13 degrees
K. Mast Lifting Height (F-B)	40"	72"
Approximate Shipping Weight	562 pounds	715 pounds
Three Point Hitch Category	1 or 2	1 or 2
Mast Type	Non-Telescoping	Telescoping
Forks, Heat Treated Alloy Steel	1-1/4 x 4 x 46	1-1/4 x 4 x 46
Fork Carriage Width	29"	29"



EDWARDS
EQUIPMENT COMPANY

4312 Main Street Union Gap WA 98903

509-248-1770

800-452-5151

Fax: 509-248-9721

Web Site: www.edwards-equip.comE-mail: sales@edwards-equip.com

Agricultural

MANUFACTURES

Industrial