

FRONT MOUNT TRANS-PORTER

Series TP8300

The Front Mount Trans-Porter is constructed of the same high quality materials as the rear mount. It can be used in conjunction with the rear mount Trans-Porter to carry a total tractor load of two bins... or to take the place of a dead weight counterbalance to make a more profitable pay load for a rear mount Edwards Trans-Fork.



- Can pick up load and set down load on up to 5-inch skid rails.
- A bin saddle attachment is available for positioning bins.
- Lifts 18 inches at lowest point.
- Tilts 9 degrees.
- Fits most makes of tractors.
- 1500 pound lifting capacity.
- The 3-Point Trans-Porter and Front Mount 3-Point Hitch can be used independently.

The Edwards Front Mount Trans-Porter combines the Edwards Front Mount 3-Point Hitch with the Edwards 3-Point Trans-Porter. See page 44 and page 4 for additional information on these implements.

SAVES TIME! SPEEDS TREE TO TREE HANDLING OF BINS!



EDWARDS
EQUIPMENT COMPANY

4312 Main Street Union Gap WA 98903

509-248-1770 800-452-5151

Fax: 509-248-9721

Web Site: www.edwards-equip.com

E-mail: sales@edwards-equip.com



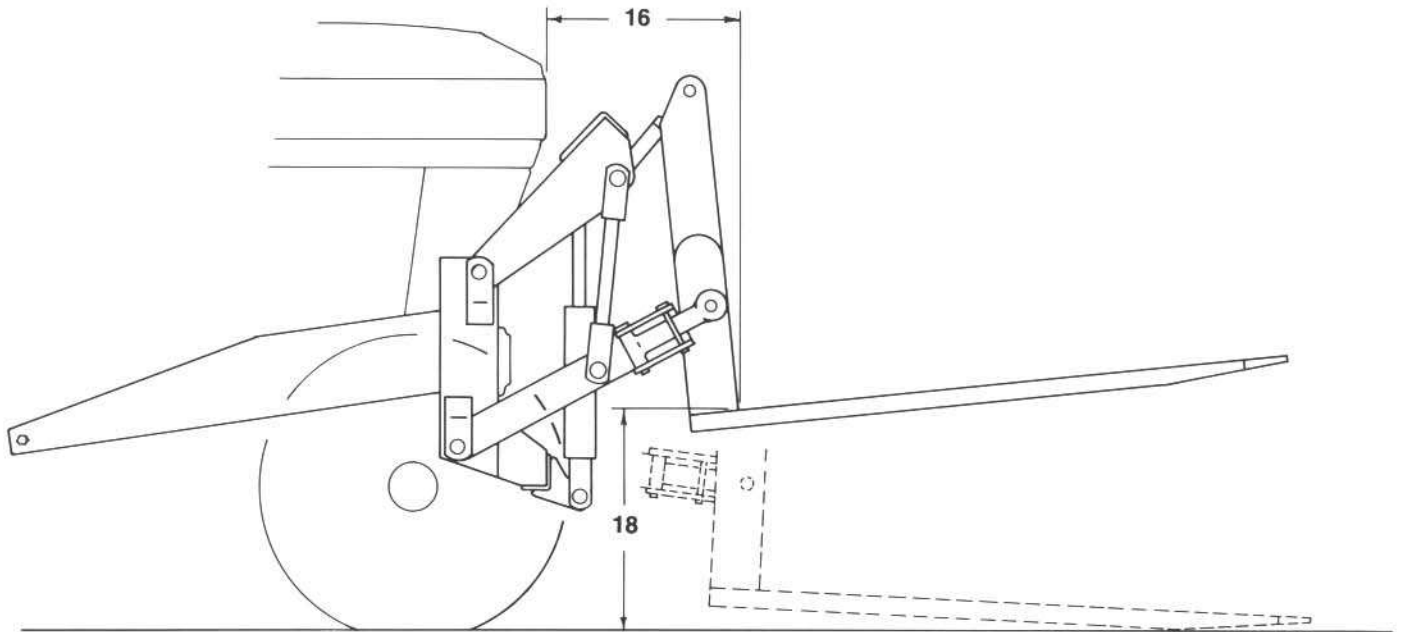
EDWARDS

TRANS-PORTER

FRONT MOUNT

Series TP8300

SPECIFICATIONS



Maximum load at 24 inch load center	1500 pounds
Hydraulic pressure required for maximum load	1500 psi
Ground clearance	10 inches
Degrees tilt forward in lowered position	3
Degrees tilt rearward in raised position	6
Approximate shipping weight	632 pounds
Requires one spool four-way valve or one remote valve for operation.	

* This dimension will be different for each make and model of tractor.
 Specifications and design subject to change without notice.