

BIN-DUMPER

Series TF7400

The Edwards Bin Dumper is a hydraulically actuated clamp and rotating carriage designed for use on Edwards fork lifts and loader forks. It can be assembled for either right hand or left hand dumping.

A time saving convenience is the hydraulic hold down clamp that retracts to a backstop position for handling stacked bins. An automatic safety lock prevents rotation when the clamp is in the backstop position.

Simplicity of design coupled with high quality material and workmanship assure efficient operation and years of dependable service.

Models also available for industrial I. T. A. lift trucks.

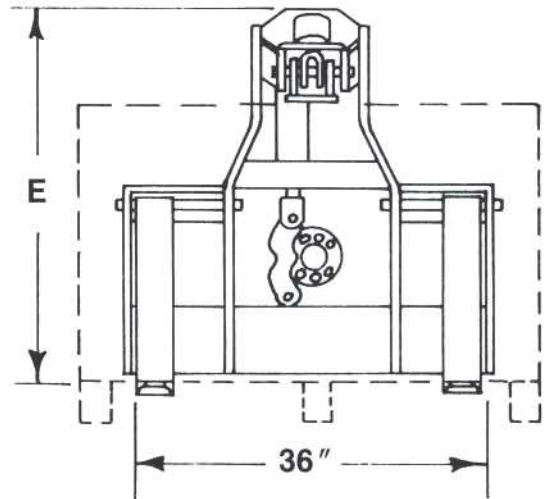
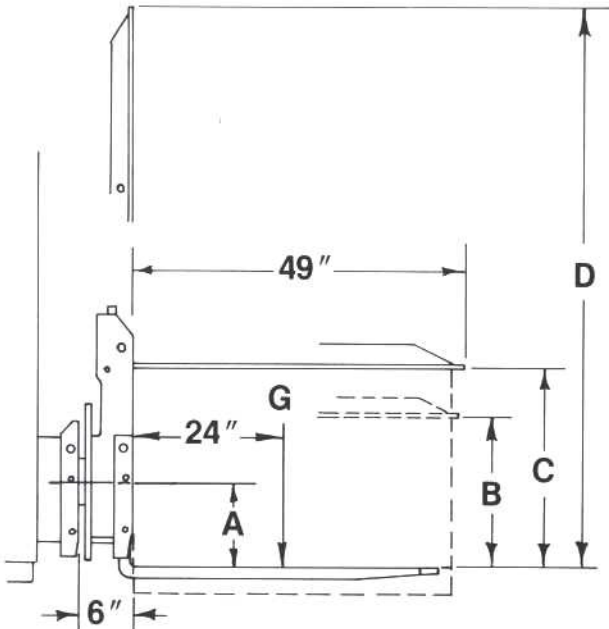


 **EDWARDS**
EQUIPMENT COMPANY

4312 Main Street Union Gap WA 98903
509-248-1770 800-452-5151
Fax: 509-248-9721
Web Site: www.edwards-equip.com
E-mail: sales@edwards-equip.com

EDWARDS BIN-DUMPER

Series TF7400 SPECIFICATIONS

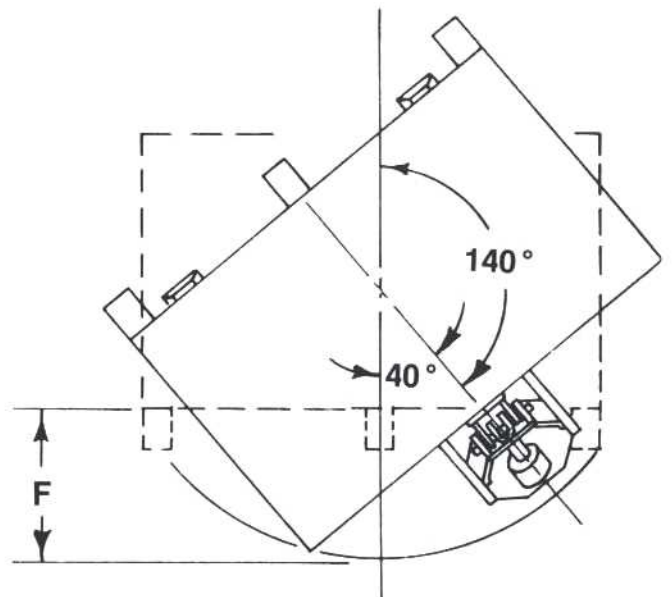


Edwards Carriage 16" ITA Carriage	TF7401 TF7402	TF7411 TF7412
A — Axis to Fork	12"	16"
B — Minimum Clamp Opening	23"	23"
C — Maximum Clamp Opening	30"	35"
D — Height, Clamp Open	83"	87"
E — Height, Clamp Closed	38"	42"
F — Swing Clearance	16"	15"
G — Maximum Rotating Capacity — Pounds	1500	1500
Maximum Lifting Capacity — Pounds	2500	2500
Approximate Shipping Weight — Pounds	485	485

Can be assembled for right or left hand rotation.

Requires one 4-way control valve with minimum pressure setting of 2000 psi.

Starting torque rating at 1500 psi is 14,700 inch pounds.



Right Hand Rotation