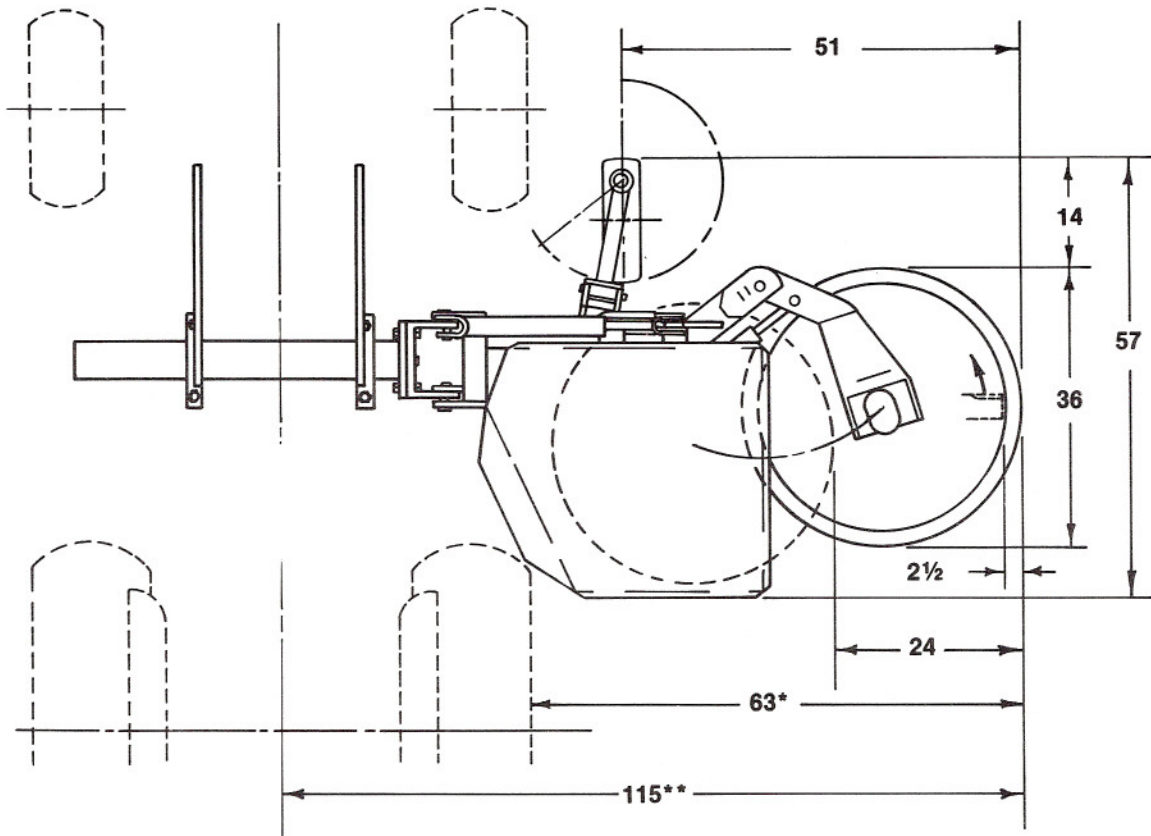
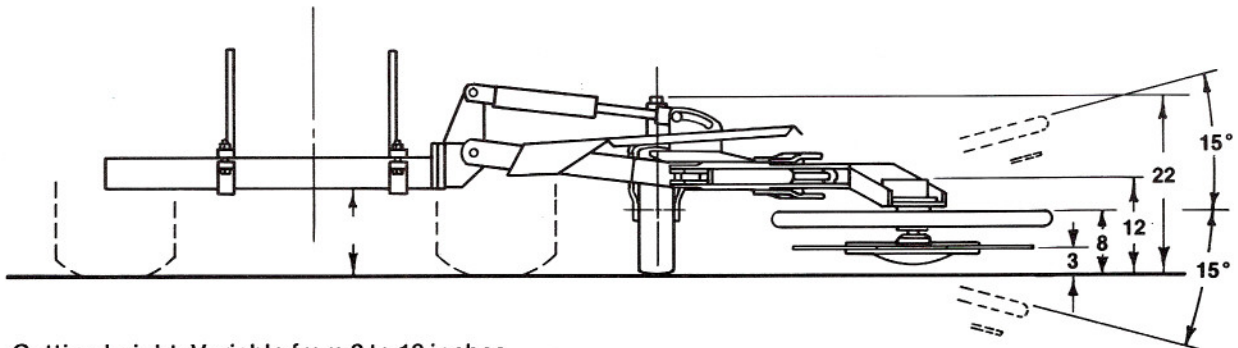


General description: A mid-mounted, retractable, hydraulic drive rotary mower.



- * Minimum beyond tire.
- **Maximum offset beyond tractor centerline.



Cutting height: Variable from 2 to 10 inches.
 Cutting angle: 15° down to 15° up.
 Hydraulics required: 8 GPM.
 Shipping weight: 582 pounds.
 Blade diameter: 31 inches.
 Blade speed: 1800 RPM.