



**EDWARDS**

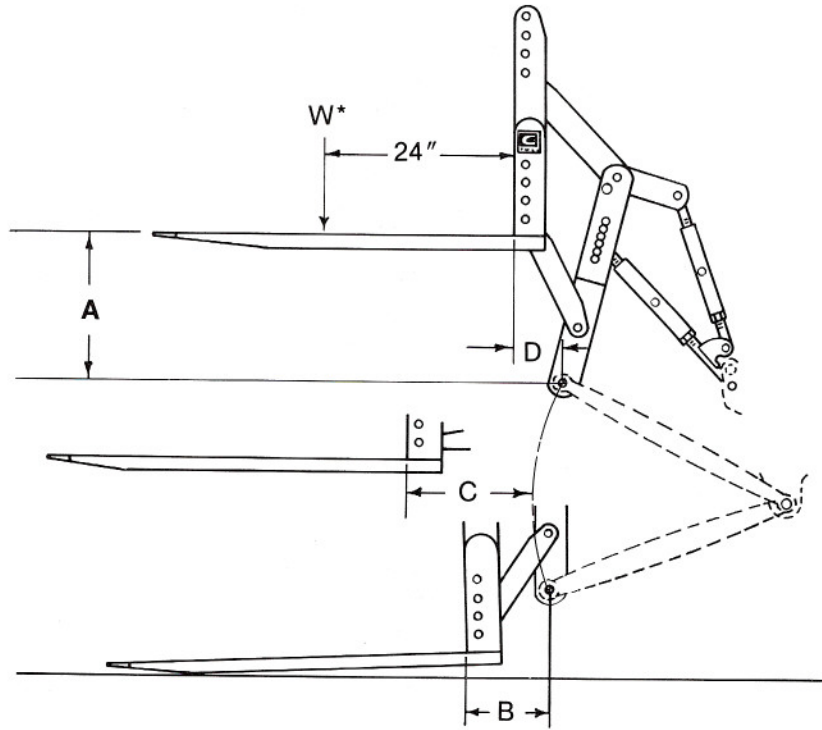
# AMPLIFIER LIFT

## Series TP1000 SPECIFICATIONS

The Edwards 3-Point Amplifier Lift has a maximum lift capacity of 1500 pounds at 24 inch load center, however, this is dependent upon the tractor lift capacity.

\*To determine how much a tractor will lift, multiply the rated lift capacity of the tractor hitch by the lift capacity factor given in the table below.

EXAMPLE: The tractor RED BOOK shows the lift capacity of the Massey-Ferguson 245 tractor to be 2600 pounds. The TP1000 Amplifier Lift Capacity Factor (F) is .6. The Lift capacity is  $.6 \times 2600 = 1560$  pounds. The maximum lift capacity for this tractor is based on the Amplifier maximum of 1500 pounds.



MODEL NUMBER	TP1000	TP1002	TP1003
F - Lift Capacity Factor	.6	.52	1.0
A - Lift Height Above Maximum Drawbar Height - inches	6	18	18
B - Face of Fork to Hitch Pin, lowered - inches	6	9	9
C - Face of Fork to Hitch Pin, maximum - inches	6	16	16
D - Face of Fork to Hitch Pin, raised - inches	2	7	7
W - Maximum Rated Lift Capacity at 24 inches	1500 Pounds		
Approximate Shipping Weight - Pounds	368	386	397

FORK SIZE: 1-1/2 x 4 x 46 inches.

HYDRAULIC SYSTEM REQUIREMENTS: Standard 3-point hitch. TP1003 requires a relative pressure port in the tractor.

Specifications and design subject to change without notice.