

426.1011a



TRANS-FORK

Series TF7900 4000 lb. Capacity



HERE IS THE COMPLETE PACKAGE. THE EDWARDS TRANS-FORK SERIES TF79120S, 4,000 POUND LIFT CAPACITY 120 INCH LIFTING HEIGHT WITH SIDESHIFT, REVERSE STEERING AND OVERHEAD GUARD.

- Lifting heights of 5 to 12 feet
- Heavy duty industrial type roller mast for hard use and long life
- Sub-frame mounting incorporates dual tilt cylinders for precise positioning
- Easily installed or removed if necessary
- Can be mounted in conjunction with front end loaders
- Some mounting for back hoe sub frames
- Coupled with the Edwards Reverse Steering and Overhead Guard, it makes an ideal all terrain agricultural or industrial lift truck



EDWARDS
EQUIPMENT COMPANY

4312 Main Street Union Gap WA 98903

509-248-1770 800-452-5151

Fax: 509-248-9721

Web Site: www.edwards-equip.com

E-mail: sales@edwards-equip.com

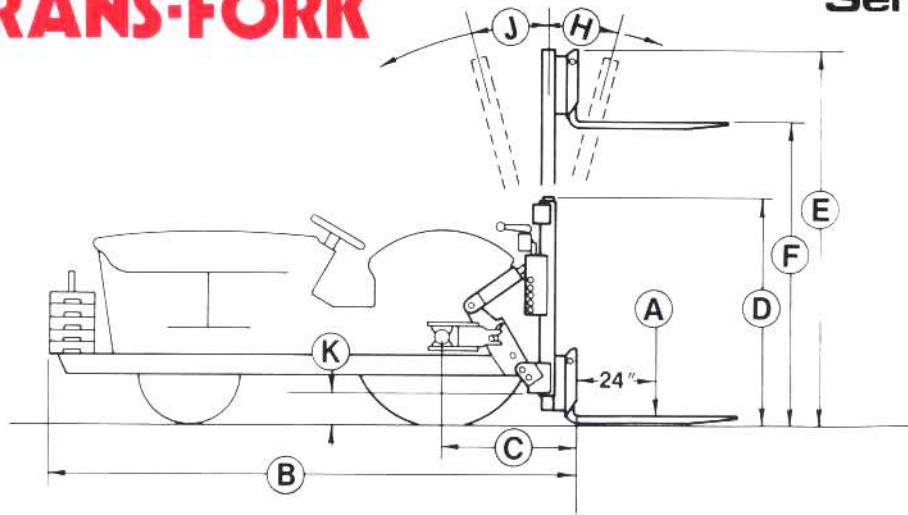
Agricultural

MANUFACTURES

industrial

TRANS-FORK

Series TF7900 SPECIFICATIONS



MODEL NUMBER	TF7960	TF7972	TF7984	TF7996	TF79108	TF79120	TF79144
A — Lifting Capacity — Pounds at 24 Inches	4000						
B — Overall Length With Sideshift	Tractor Length Plus 25 Inches Tractor Length Plus 28 Inches						
C — Reach Reach with Sideshift	30" to 38" 33" to 41"						
D — Overall Height Mast Lowered	62"	68"	74"	80"	86"	92"	104"
E — Overall Height Mast Raised	92"	104"	116"	128"	140"	152"	176"
F — Maximum Lifting Height	60"	72"	84"	96"	108"	120"	144"
H — Degrees Tilt Forward	6° to 10°						
J — Degrees Tilt Rearward	10° to 15°						
K — Ground Clearance	6 1/2" to 15"						
Approximate Shipping Weight — Pounds	1117	1164	1213	1263	1312	1360	1477

* Depending on tractor tire size.

FORKS: All forks are made from 1-1/2 X 5 heat treated alloy steel. Standard length is 46 inches. Standard carriage width is 36 inches. Fork spacing is adjustable. Other fork lengths and carriage widths are available on special order.

MAST TYPE: Single stage lift.

COUNTERWEIGHT: About 2500 pounds should be added to the front of most tractors to effectively counterbalance a 4000 pound load.

SIDESHIFT (Optional): Three inches each side of mast center, Weight—158

HOLDDOWN: Available as an optional attachment

HYDRAULIC SYSTEM REQUIREMENTS: Can be operated from most tractor hydraulic systems.

Specifications and design subject to change without notice.