

3 POINT TRANS-PORTER

Series TP6400

The EDWARDS 3-POINT TRANS-PORTER fastens to the three point lift of most tractors. The TRANS-PORTER is a low cost carrying device designed to lift and carry bins, feed, baled hay almost anything including other implements. Available in either category I or II. Choose from 7 different modes ranging from 1500 pound capacity to the 3500 pound capacity.

- Choose from 7 models
- Lifting height up to 16 inches
- Tilts 10 degrees at maximum lift height
- 46 inch solid steel forks
- No moving parts means low cost maintenance
- Bin saddle available as optional equipment
- Models available with optional fold up forks
- Fixed fork position
- Adjustable fork position
- Special fork length
- Special fork width
- Optional side shift on the adjustable fork models



LIFTING CAPACITIES FROM 1500 TO 3500 POUNDS
SAVES TIME! SPEEDS TREE-TO-TREE HANDLING OF BINS,
OR THE MOVING OF PALLETIZED MATERIAL



4312 Main Street Union Gap WA 98903
509-248-1770 800-452-5151
Fax: 509-248-9721
Web Site: www.edwards-equip.com
E-mail: sales@edwards-equip.com

Agricultural

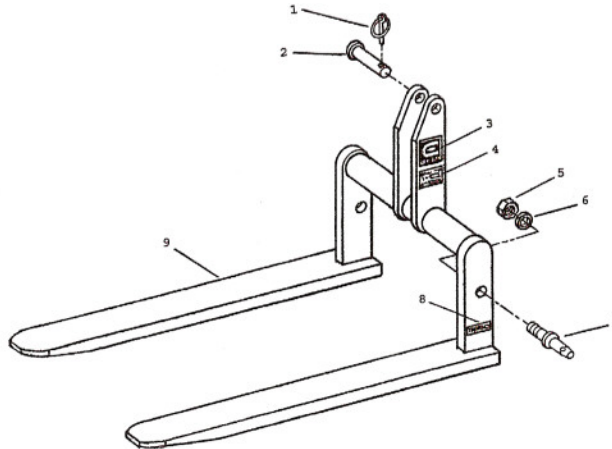
MANUFACTURES

industrial

EDWARDS

TRANS-PORTER

Series TP6400 SPECIFICATIONS



MODEL	3-POINT CATEGORY	CAPACITY IN POUNDS AT 24 INCHES	SPACING	MATERIAL	LENGTH	WIDTH OUT-SIDE
TP6412*	1	1500	FIXED	1-1/2 X 4	46	29
TP6420*	2	1500	FIXED	1-1/2 X 4	46	34-1/4
TP6414	1	2500	ADJUSTABLE	1-1/4 X 4	46	8 TO 29
TP6424	2	2500	ADJUSTABLE	1-1/4 X 4	46	8 TO 36
TP6413	1	3000	FIXED	2 X 4	46	29
TP6423	2	3000	FIXED	2 X 4	46	34-1/4
TP6430	2	3500	ADJUSTABLE	1-1/2 X 5	46	10 TO 36

- MODELS AVAILABLE WITH OPTIONAL FLIP UP FORKS
NOTE: ALL DIMENSIONS GIVEN IN INCHES

MADE IN U.S.A.