



MINI-LIFT

Series TT3600



Now you can put your smaller tractor to work on bigger jobs with the new Mini Lift from Edwards. Stack, load and unload pallets and bins with ease—even awkward loads are easy to handle with the Mini Lift. Designed specifically for tractors under 40 horsepower, the Mini Lift mounts close for greater front end stability. Made of all high quality materials its rugged construction means years of dependable service. So, if you're looking for a way to make your smaller tractor work even harder, check out the Mini Lift from Edwards, The company with over 40 years of tractor mounted fork lift experience.

- Designed for compact tractors, under 40 horsepower
- Attaches quickly and easily
- Lifting capacity up to 1200 pounds
- Compact design allows easy accessibility to many hard-to-reach places
- Features fold up forks
- Available as a vertical lift or with optional tilt features
- Ideal for moving or stacking awkward loads
- Available in various lifting heights



4312 Main Street Union Gap WA 98903
509-248-1770 800-452-5151

Fax: 509-248-9721

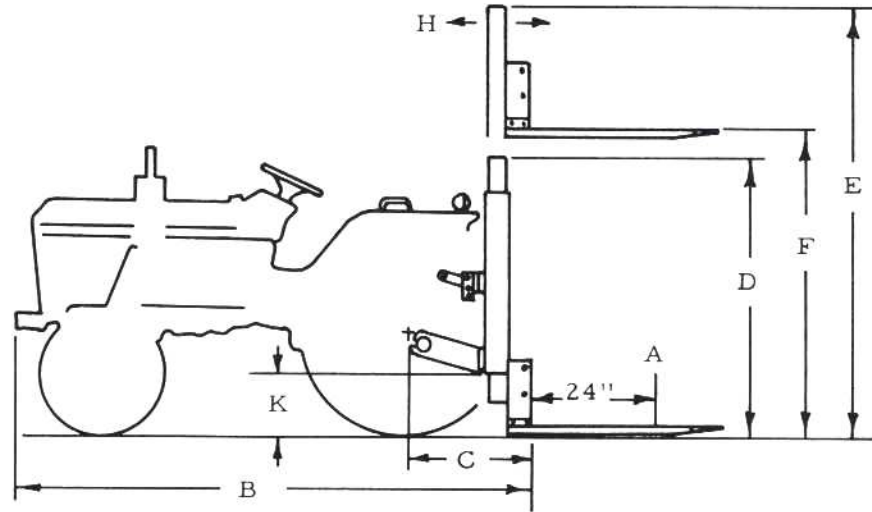
Web Site: www.edwards-equip.com

E-mail: sales@edwards-equip.com

Agricultural

MANUFACTURES

industrial



MODEL NUMBER	TT3660	TT3672	TT3684	TT3696
A Lifting capacity - pounds at 24 inches	1200			
B Overall length	Tractor length plus 2 to 5 inches**			
C Reach	Rear tire radius plus 2 to 5 inches**			
D Overall height - mast lowered	55	61	67	73
E Overall height - mast raised	85	97	109	121
F Maximum lifting height	60	72	84	96
H Degrees tilt*	5° forward and rearward			
K Ground clearance	9 to 13 inches**			
Approximate shipping weight in pounds	360	385	408	431

* When optional tilt mounting is used.

** Depending on tractor tire size and mountings.

FORKS: Standard folding fork length - 36 inches. Width across forks - 26 inches.

HYDRAULIC SYSTEM REQUIREMENTS: Solid mount operates with three-point lift control. Tilt mount requires on tractor remote valve to operate lift.

Specifications and design subject to change without notice.