



# TRANS-TIER

## Series TT5800

Economically priced, the Trans-Tier is easily mounted on your tractor for seasonal use. It is an all around utility lift with a capacity of 2000 pound at a 24 inch load center. It is ideal for lifting awkward loads, transporting materials, stacking bins. And loading trucks. Mountings are available for nearly all makes of general purpose tractors. The Trans-Tier is made from high quality materials, Carriages are mounted on sealed bearings. A special rolled channel section of high carbon steel is used for the inner mast. All cylinders are constructed with hard chrome rods. These features assure efficient operation and years of dependable service. Lifting heights available are, 40, 60, 72, 84, 96 and 108 inches.



Front Mount Trans-Tier



Rear Mount Trans-Tier



**EDWARDS**  
EQUIPMENT COMPANY

4312 Main Street Union Gap WA 98903

509-248-1770 800-452-5151

Fax: 509-248-9721

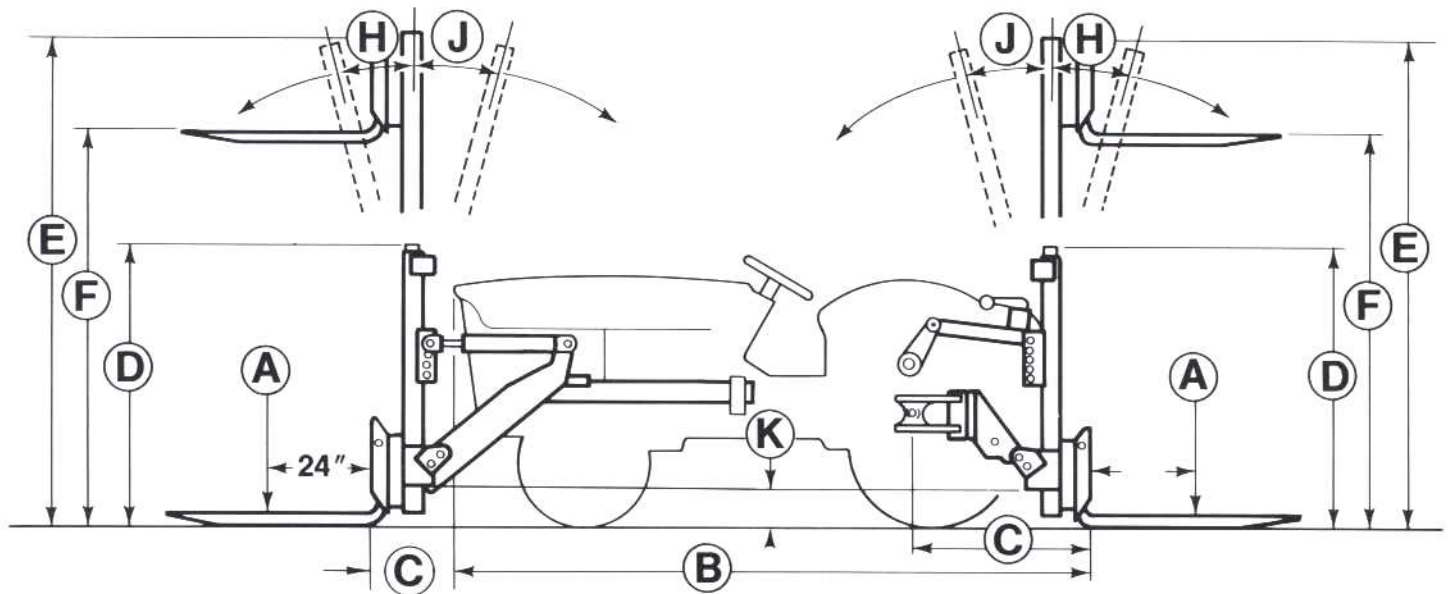
Web Site: [www.edwards-equip.com](http://www.edwards-equip.com)

E-mail: [sales@edwards-equip.com](mailto:sales@edwards-equip.com)

Agricultural

MANUFACTURES

industrial



**FORKS:** Standard length 46 inches. Other fork lengths available on special order. All forks made from 1 1/4 x 4 heat treated alloy steel.

**MAST TYPE:** Single stage lift.

**COUNTERWEIGHT:** When rear mount is used alone, about 700 pounds should be added to the front of most tractors to effectively counterbalance a 1500 pound load.

**SIDESHIFT (Optional):** Three inches each side of mast center. Weight — 153 pounds.

**HOLDDOWN:** Available as an optional attachment.

MODEL NUMBER	TT5860	TT5872	TT5884	TT5896	TT58108	TT58120*	TT58144*
A — Lifting Capacity — Pounds at 24 Inches	2000						
B — Overall Length with Sideshift	Tractor Length Plus 6 Inches Tractor Length Plus 9 Inches						
C — Rear Mount Reach with Sideshift	29" to 37" 32" to 40"						**
Front Mount Reach with Sideshift	18" 21"						**
D — Overall Height Mast Lowered	54"	60"	66"	72"	78"	84"	96"
E — Overall Height Mast Raised	84"	96"	108"	120"	132"	144"	168"
F — Maximum Lifting Height	60"	72"	84"	96"	108"	120"	144"
H — Degrees Tilt Forward	6° to 14° **						
J — Degrees Tilt Rearward	8°						
K — Ground Clearance	9"						
Approximate Shipping Weight — Pounds	810	840	870	900	930	960	1020

\* To be used with cylinder tilt mounting only.

\*\* Depending on tractor tire size.

**HYDRAULIC SYSTEM REQUIREMENTS:** Adapts to tractors equipped with three point type hitches. The hydraulic system of these tractors is usually adequate.

Specifications and design subject to change without notice.