



TRANS-TIER

Series TT5800

EDWARDS VERTICAL MAST ATTACHMENT FOR SKID STEER LOADERS



STACK BINS

LOAD TRUCKS

HANDLE BEE HIVES

LIFT LOADS EASILY

**TRANSPORT PRODUCE TO
LOADING AREA**

The TRANS-TIER is made from high quality materials. Sealed ball bearings support the fork carriage. The slide channels are a special section rolled from high carbon steel. Hard chromed rod is used in all hydraulic cylinders. A rugged mounting bracket attaches the TRANS-TIER quickly and easily to the loader frame. Available 120 and 144 inch lifting heights.



EDWARDS
EQUIPMENT COMPANY

4312 Main Street Union Gap WA 98903

509-248-1770 800-452-5151

Fax: 509-248-9721

Web Site: www.edwards-equip.com

E-mail: sales@edwards-equip.com

Agricultural

MANUFACTURES

industrial



EDWARDS

TRANS-TIER

ON SKID STEER LOADERS

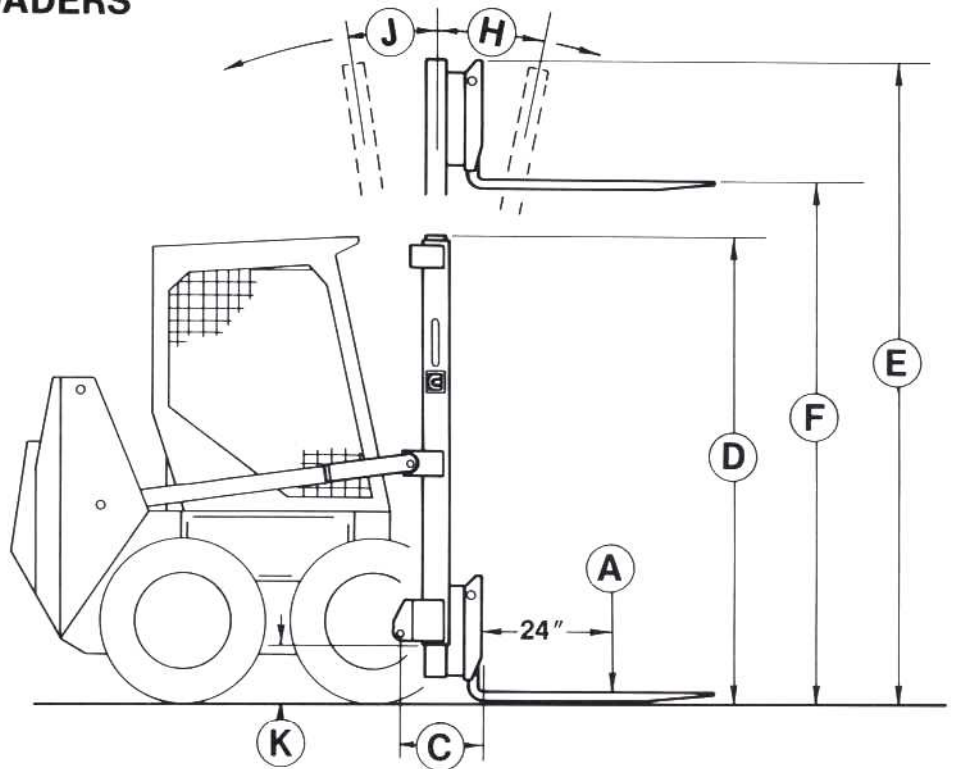
**Series TT5800
SPECIFICATIONS**

FORKS: Forks are made from 1¼ x 4 heat treated alloy steel. Standard length is 46". Standard carriage width is 29 inches. Fork spacing is adjustable. Other fork lengths and carriage widths are available on special order.

MAST TYPE: Single stage lift.

SIDESHIFT (Optional): Three inches each side of mast center.

HOLDDOWN: Available as an optional attachment.



Specifications and design subject to change without notice.

MODEL NUMBER	TT5860	TT5872	TT5884	TT5896	TT58108	TT58120	TT58144
A — Lifting Capacity — Lbs. at 24 Inches *	2000						
C — Reach With Sideshift	18" 21"						
D — Overall Height Mast Lowered	54"	60"	66"	72"	78"	84"	96"
E — Overall Height Mast Raised	84"	96"	108"	120"	132"	144"	168"
F — Maximum Lifting Height	60"	72"	84"	96"	108"	120"	144"
H — Degrees Tilt Forward	8°						
J — Degrees Tilt Rearward	8°						
K — Ground Clearance	8"						
Approximate Shipping Weight — Pounds	742	872	902	932	962	987	1052

* Mast lifting capacity only. Does not indicate tractor carrying capacity.