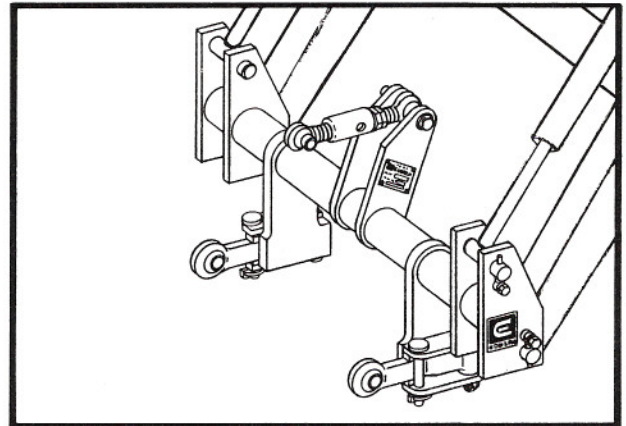


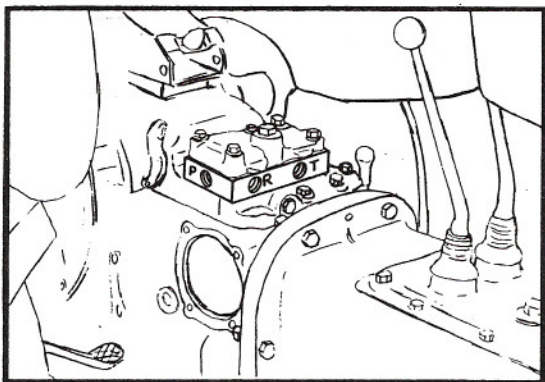
MISCELLANEOUS PRODUCTS

3-POINT HITCH LOADER MOUNT

If you have a tractor front mounted loader, you will wonder how you ever got along without this attachment from Edwards. The DH8316 Series 3-Point Hitch for front mounted loaders permits mounting any number of 3-point implements to the front of your tractor. You can attach a 3-point Transporter to lift, transport, and high stack pallets or bins, or you can attach a 3-point Brush Spider, or a 3-point Brush Rake, or a 3-point Dyna-Trim, or a 3-point Post Driver, or a 3-point Spray Boom. It is only a quick change from one 3-point implement to another.



TRACTOR HYDRAULIC MANIFOLD PLATES



Edwards offers a variety of tractor hydraulic manifold plates to make pressure and return ports available for operating various implements and attachments. Edwards has developed these manifolds to adapt Edwards Forklifts, Front 3-Point Hitches, Brush Spiders, Highway Mowers and other hydraulic actuated implements. For instance, with the TF575 Manifold Sub-Plate shown here, any number of valves can be added to older Ford 600-800 up to current Ford tractor models.

DOUBLE FORK ASSEMBLY

The Edwards DF8900 Series Double Fork speeds the loading, unloading and moving of empty bins. The Edwards Double Fork attaches quickly and easily to existing forklift forks. Just drive into the fork sockets and secure with the retaining pins.

